



TECHNICAL PURCHASER

Your procurement specialist



ABOUT US

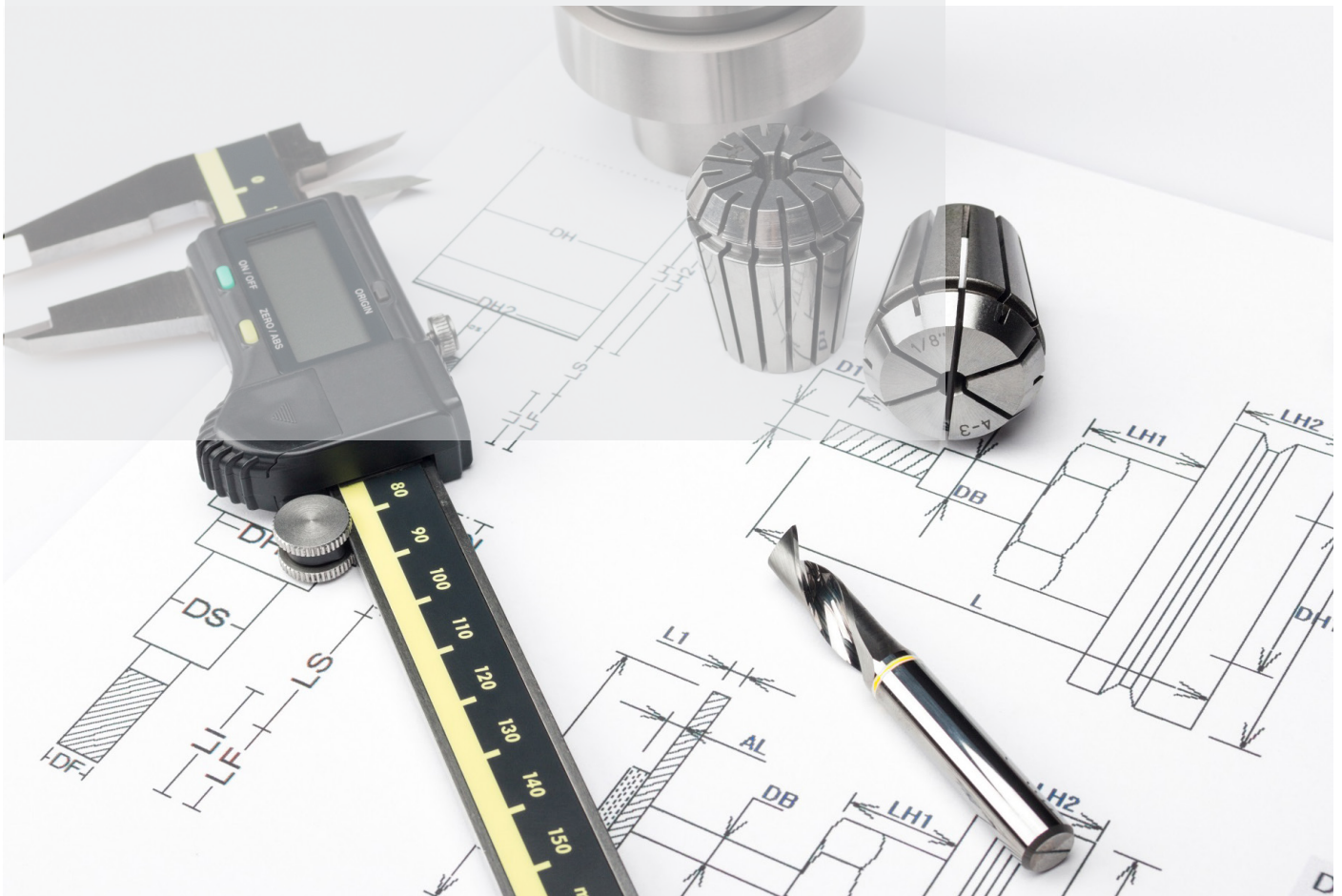
We at technical-purchaser.com GmbH offer you a professional consultancy and global sourcing service for your technically demanding parts and assemblies.

Whether as a standard or special solution, during the product development process or as an already qualified series product, you will always achieve your procurement goals with us.

Our range of services includes extensive technical knowledge of the product groups in which we specialise. For each of these product groups, we have competitive partners in our portfolio who can score points in terms of expertise, cost, quality, delivery and service, or any other criteria relevant to you.

Take advantage of our services and benefit from working with us in a spirit of partnership.

We are ready to meet your challenges and look forward to hearing from you!



OUR SERVICES

Are you challenged by long lead times, high procurement costs or unsatisfactory quality?

Or do you feel you are taking too much risk and making too many compromises with your current supplier?

We start by analysing your requirements.

If you require, we can then produce the necessary documentation, such as drawings and specifications, which are essential for reliable quotations during the enquiry phase.

We round off the service with appropriate quotations and delivery tailored to your requirements.

We ensure that the procurement process is as straightforward for you.

Our main concern is your success!



MACHINING PARTS

In machining, the focus is on material properties, dimensional, shape and tolerance accuracy. Roughness and surface finish, as well as edge accuracy.

Important parameters must be clearly distinguished from less important ones in order to achieve economical machining.

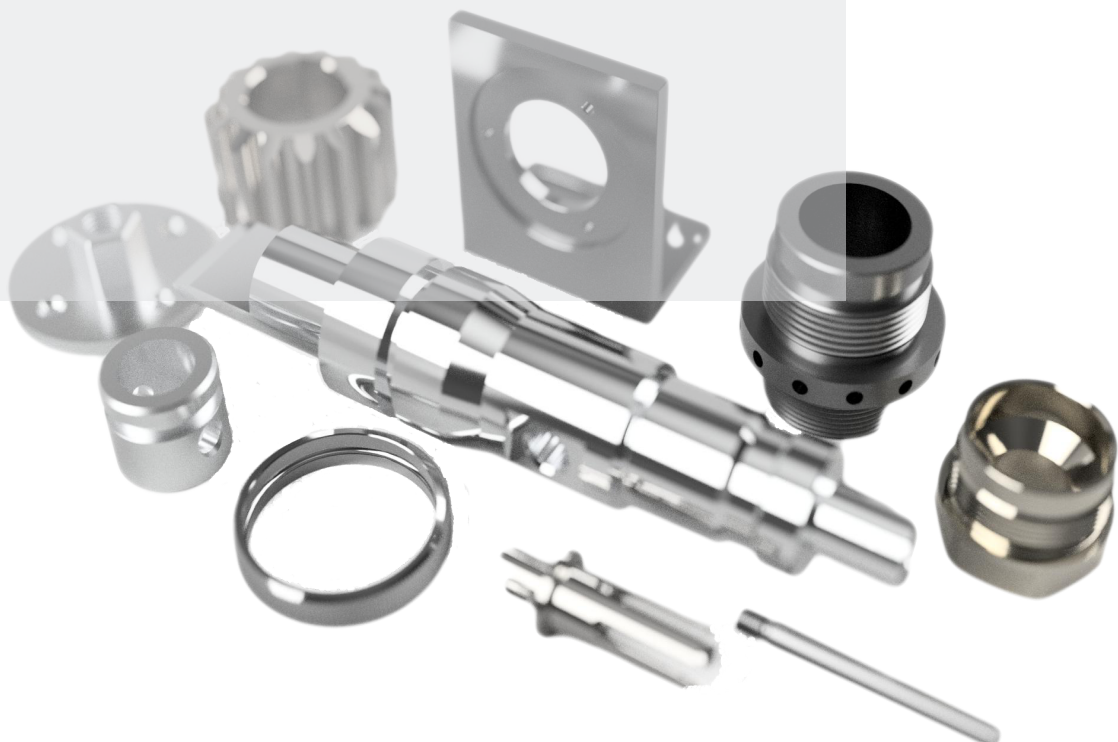
The right choice of machining tools and machines is critical to the result.

If additional processing such as deburring, heat treatment or coating is required, we are pleased to offer this as well.

We offer the following machined parts:

- CNC turning
- CNC milling
- Gear cutting
- Grinding
- Eroding

Our portfolio also includes combined processes on machining centres. We are always at your disposal for advice and quotation!



DIE-CASTING

Die casting is often associated with high investments, long delivery times and, in the case of aluminium die casting, sometimes also low output quantities.

Often die-cast parts also have to be machined or receive a special surface treatment to improve their appearance or material properties.

In addition, die casters do not always have all processes in-house, so transport routes, packaging and capital commitment times have to be taken into account.

An effort that also costs accordingly!

We can invalidate the above-mentioned empirical values and offer you everything from a single source.

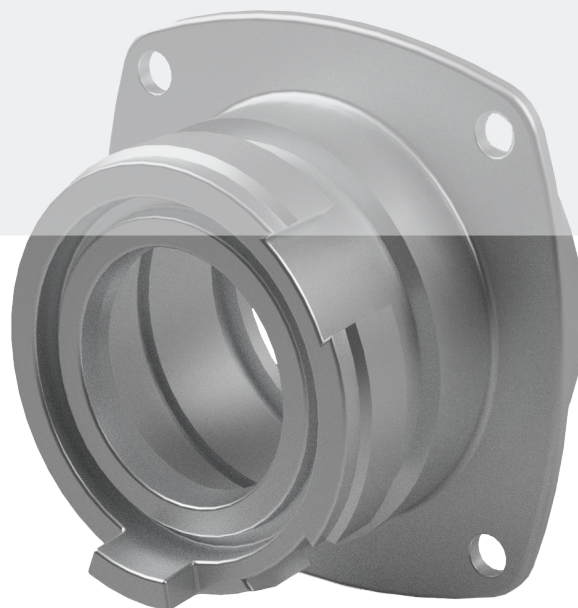
Whether aluminium or zinc die casting.

Our die casting processes:

- Aluminium die casting
- Zinc die casting

Downstream processes:

- Stamp deburring
- Vibratory finishing
- Sand blasting
- Cleaning
- Painting, powder coating
- CNC turning
- CNC milling
- Galvanising
- Anodising



PLASTIC INJECTION MOULDING

As mentioned in the area of die-cast parts, the general understanding with injection moulded parts is that high investments or minimum quantities are required to make it worthwhile. Everything below this quantity must come from the 3D printer or a prototype mould.

Why this doesn't necessarily have to be the case with plastic injection moulded parts will be glad to talk with you about it. You do not have to make any compromises in terms of e.g. quality or delivery time.

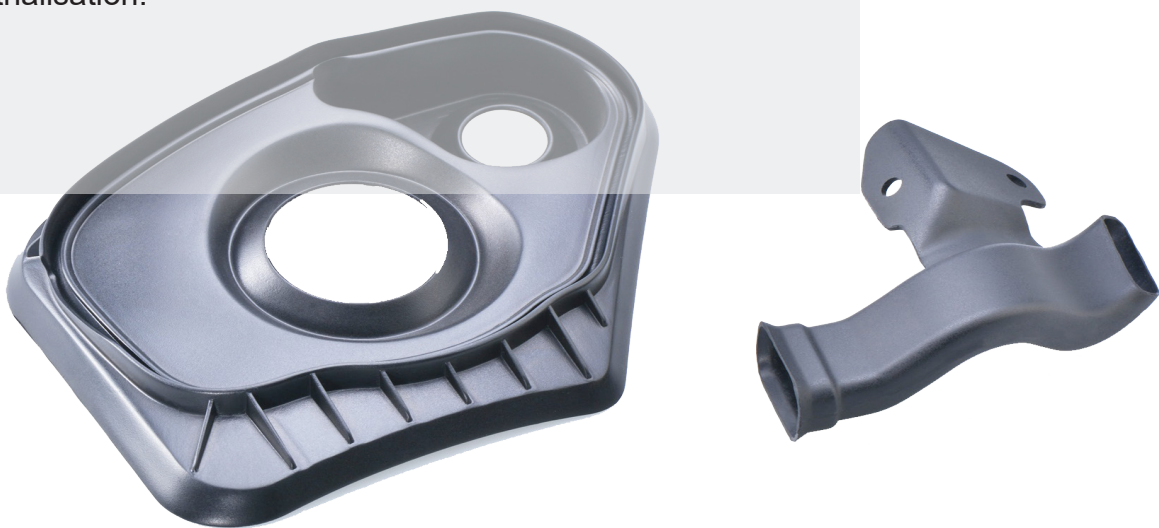
In addition to the specific processes, we can also offer you finishing and further processing such as assembly processes.

Here is a overview of the procedures we offer:

- Conventional injection moulding
- Injection moulding with mould inserts
- Multi-component injection moulding
- Gas injection moulding
- Rapid tooling / prototype injection moulding

On request, we can support you from the initial idea for a component or assembly right through to series production.

During series production, you benefit from the experience gained during the prototype phase and thus shorten the time to industrialisation.



PUNCHING AND BENDING FORMING PARTS

Depending on the area of application, stamped, stamped-bent and formed parts sometimes have to be manufactured with high precision. It is therefore important to know all the influencing factors in advance in order to know how to incorporate them into the realisation of the sheet metal parts.

The nature of the requirements also determines the selection of the supplier(s), the equipment and the required expertise. The risk of long learning curves and high quality costs are avoidable consequences.

Therefore, you can be sure that all important features are taken into account and professionally implemented from the time of your enquiry through to delivery.

We offer the following technologies:

- Single-row and multi-row progressive die stamping tools for the production of stator/rotor core assemblies, also with adhesive bonding externally or in the tool
- Punching and bending of all types of housing parts
- Formed and deep-drawn parts such as rotor housings, back rings

Is your required component not listed here? Never mind! Just ask us! We would be glad to provide you with an offer.



PRE-ASSEMBLED CABLES

The cable assembly of the suppliers in our portfolio is much more than just connecting wires.

By using innovative materials, we ensure maximum performance and durability in our products. From heat-resistant polymers to protective coatings, we rely on materials that fulfil all expectations.

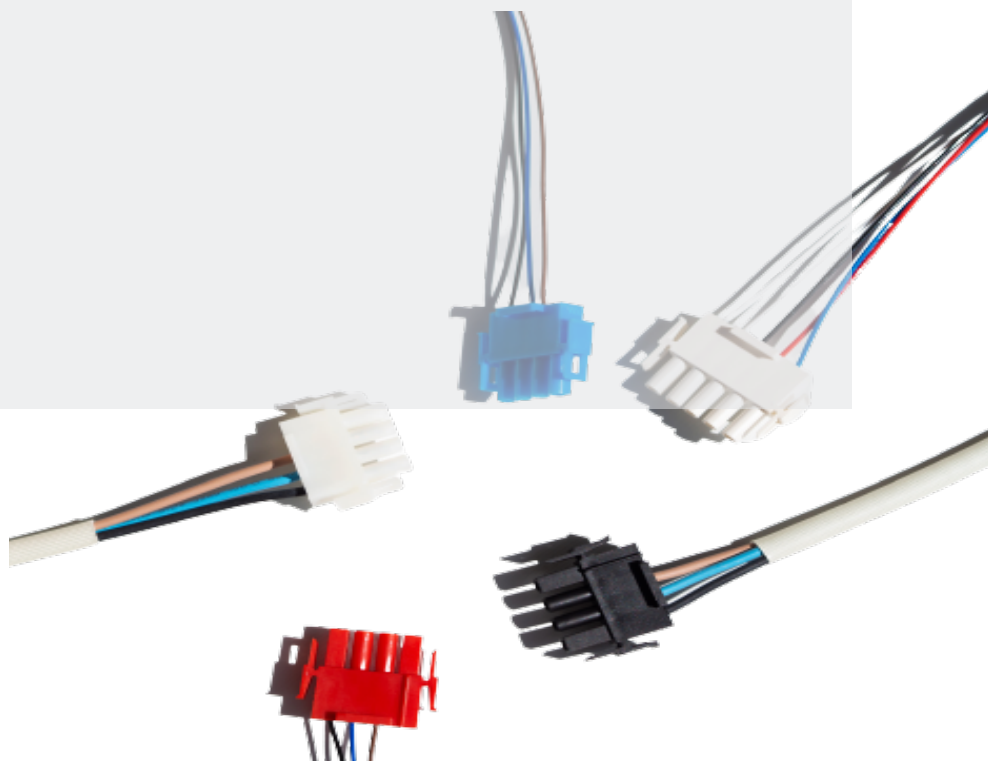
Our strict precision and quality controls monitor every step of the process to ensure that the highest quality standards are met.

Here at technical-purchaser.com GmbH, we understand that every detail counts.

Our experts combine craftsmanship with cutting-edge technology to deliver customised cable products of the highest quality.

We offer the following technologies:

- From simple plug connections to complex cable harnesses
- Customised solutions possible
- Flexibility, shielding, insulation - we customise the technical features precisely to your requirements!



CONSTRUCTION AND DEVELOPMENT SERVICE

Here's why you should choose us. We offer not only precision and efficiency, but also a deep understanding of your individual requirements.

Our services are focused on saving you time and resources while ensuring the highest standards of design and development.

With our team, we support you from conception to realisation. Whether it is the development of components, the optimisation of product designs or the solution of complex technical problems, we at technical-purchaser are your reliable partner! If required, we can also support you in your search for the most cost-effective procurement source.

Of course, we always focus on quality and speed.

We look forward to turning your ideas into reality!

A few examples:

- Recording the requirements, specifications
- Functional and production-orientated development (solid, 3D)
- Creation of the technically mature requirements specification
- Procurement of individual parts on request





**TECHNICAL
PURCHASER**

Your procurement specialist

technical-purchaser GmbH
Leopoldstraße 1
D- 78112 St. Georgen
Telefon: +49 7724 5794321

www.technical-purchaser.com